



## Bronze Thru-Hull Intake Strainers

As a professional marine hardware manufacturer and supplier in China. Power Marine develop Bronze Thru-Hull Intake Strainers have been specialized in they for many years. We are always committed to producing high quality Bronze Thru-Hull Intake Strainers and bronze fittings

## Bronze Thru-Hull Intake Strainers

### Product Introduction

The Bronze Thru-Hull Intake strainers is an efficient and reliable designed for boats of all sizes. We are always committed to producing high quality Thru-Hull Intake and bronze fittings. We will pay attention to the surface treatment and dimensional accuracy of the Bronze Thru-Hull Intake Strainers to ensure the service life of the product.

### Product Parameter (Specification)

Product name	Bronze Thru-Hull Intake Strainers
Specification available	Multiple sizes
Standards that follow to	ISO 9001, CE, TUV, CSS, SGS.
Samples available	Yes.
Packing method	Bubble bag+Wooden carton
Production lead time	10-15 days for a 20ft container, 20-25 days for a 40ft container.
Warranty time	Support returns and exchanges
Payment term	T/T

### Shandong Power Industry and Trade Co., Ltd.

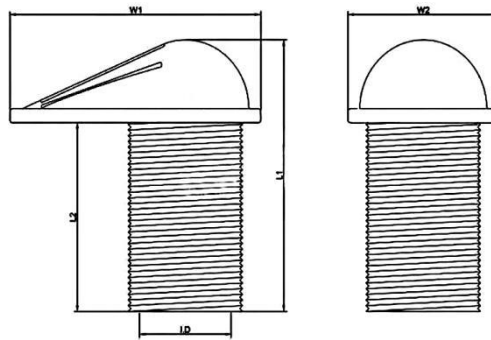
**Address:** Chengyang District, Qingdao, Shandong Province, China

**Tel:** +86-15865772126

+86-0532-83875707

**E-mail:** [andy@hardwaremarine.com](mailto:andy@hardwaremarine.com)

FOB loading port	Qingdao China
------------------	---------------



Scoop Thru-Hull							
Specification	Medol No.	LD	W1	H2	L1	L2	Thread-BSPP
3/4"	PM-B61006	19.5	83.1	62.2	101	72.4	26.4
1"	PM-B61010	25	89.9	67	118.3	88.5	33.3
1-1/4"	PM-B61012	34	104	76.5	113.8	78.6	41.9
1-1/2"	PM-B61014	38	105	75.5	112.5	78	47.8
2"	PM-B61020	49.3	144	88.2	121.5	73.8	59.6

### Product Feature And Application

Bronze Thru-Hull Intake Strainers have a long history in the marine industry. These filters are used to prevent debris such as algae, shells, and other floating material from entering the boat's intake system. By filtering out these unwanted particles, Thru-hull air intake filters help maintain the efficiency and performance of your boat's engine and water systems. The use of bronze as the primary material for these filters dates back to the early days of boating, when it was discovered that bronze had excellent corrosion resistance in marine environments. Bronze is known for its strength, durability and resistance to marine growth, making it an ideal material for through-hull air intake filters. Additionally, bronze is easy to cast and shape, allowing for the

### Shandong Power Industry and Trade Co., Ltd.

**Address:** Chengyang District, Qingdao, Shandong Province, China

**Tel:** +86-15865772126

+86-0532-83875707

**E-mail:** [andy@hardwaremarine.com](mailto:andy@hardwaremarine.com)

creation of filters with complex designs and configurations. Over the years, advancements in design and manufacturing have led to the development of more efficient and effective Bronze Thru-Hull Intake Strainers. These filters now come with a variety of innovative features such as removable screens, quick-release mechanisms and clear covers for easy inspection and maintenance. The introduction of different grid sizes and shapes also allows for better customization and filtering capabilities. Today, Bronze Thru-Hull Intake Strainers are widely used on all types of vessels, including yachts, commercial vessels, and even naval vessels. They are an important part of ensuring the smooth operation and longevity of your boat's engine and water systems. As materials and technology continue to advance, these filters may evolve further to meet the changing needs and requirements of the marine industry.

## **Product Details**

Bronze Thru-Hull Intake Strainers have several key features that make them a popular choice among boaters. Here are some of their salient features:

**Material:** Bronze is a durable and corrosion-resistant material ideal for marine environments. It can withstand harsh conditions and is less susceptible to damage from salt water, chemicals and marine life.

**Filtration:** Bronze Thru-Hull Intake Strainers air intake filters use a mesh screen to filter debris and prevent it from entering the boat's air intake system. Filters come in different sizes and shapes to meet different needs, achieving efficient filtration while maintaining good water flow.

**Easy to maintain:** Some Bronze Thru-Hull Intake Strainers have removable screens or quick-release mechanisms, making them easy to clean and maintain. This enables the crew to regularly inspect and remove any accumulated debris, ensuring optimal performance of the filters and onboard water system.

**Clear Cover:** Some filters come with clear or translucent covers that allow for easy visual inspection of the screen without removing it. This feature simplifies monitoring and maintenance as any signs of blockage or wear can be easily identified.

## **Shandong Power Industry and Trade Co., Ltd.**

**Address:** Chengyang District, Qingdao, Shandong Province, China

**Tel:** [+86-15865772126](tel:+86-15865772126)

[+86-0532-83875707](tel:+86-0532-83875707)

**E-mail:** [andy@hardwaremarine.com](mailto:andy@hardwaremarine.com)

**Multiple Configurations:** Bronze Thru-Hull Intake Strainers are available in a variety of configurations to meet different installation requirements. They can be used for through-hull installation or in combination with sea cocks or other valves.

**Longevity and Durability:** Bronze is a long-lasting material that resists harsh marine conditions, including corrosion and wear. Bronze Thru-Hull Intake Strainers are built to last, providing boaters with reliable, durable filtration of their water intake systems.

Bronze Thru-Hull Intake Strainers provide boaters with a reliable, efficient solution for preventing debris from entering the water intake system. Their durability, corrosion resistance and ease of maintenance make them a popular choice among boat owners and operators around the world.

### **Loading & Shipment**

Thanks to superior quality, we have been establishing a close & long business partner relationship with the customers from more than 30 countries, and we've gotten so many positive feedback regarding the quality.

### **Shandong Power Industry and Trade Co., Ltd.**

**Address:** Chengyang District, Qingdao, Shandong Province, China

**Tel:** [+86-15865772126](tel:+86-15865772126)

[+86-0532-83875707](tel:+86-0532-83875707)

**E-mail:** [andy@hardwaremarine.com](mailto:andy@hardwaremarine.com)



**Contact us**

Contact us freely for any inquiries on our products by following:

Email: [andy@hardwaremarine.com](mailto:andy@hardwaremarine.com)

Mob: +86-15865772126

**24 hours on line contact:**

WhatsApp / wechat: +86-15865772126

**If you have any questions can contact us**

**Shandong Power Industry and Trade Co., Ltd.**

**Address:** Chengyang District, Qingdao, Shandong Province, China

**Tel:** [+86-15865772126](tel:+86-15865772126)

[+86-0532-83875707](tel:+86-0532-83875707)

**E-mail:** [andy@hardwaremarine.com](mailto:andy@hardwaremarine.com)